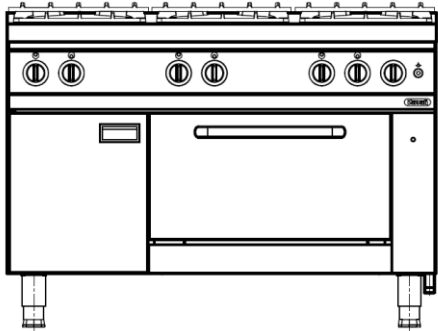




Total Food-Service Solutions

Modular Gas Table Range NGR 12-90 GR, Gas Prime Cooker with Six Gas Burners and Oven

ITEM# _____
 MODEL# _____
 NAME# _____
 S/N# _____



Grandis Modular Gas Table Range

Gas Prime Cooker with Six Burners and Oven

NGR 12-90 GR SIX GAS BURNERS,
 FLAME FAILURE FUNCTION,
 CLOSED CABINET
 AND OVEN

Short Form Specification

Item No.

Nayati Gas Range

Oven temperature maintained by thermostat with maximum working temperature of 310°C, unit to be installed on open cabinet or similar elements, cantilever, or solid block solutions. Heavy-duty cast iron pan support included. Featuring removable clip joint to connect Meritus family product.

Main Features

- Durable Cast Iron pot holder.
- H2 Cabinet Finishing.
- 6 x 10 kW Burner Power.
- Maximum oven working temperature of 310°C
- Easy oven hinge, which is removable for easier cleaning and maintenance.
- Oven Handle made from non heating material, to prevent injury during high temperature operation.
- Unit to be installed free standing, can be joined with base cabinet, table stand or cantilever system.
- Service maintenance can be done from the front panel.

Construction

- All exterior panels in 304 type of Stainless Steel
- Orbital top panel anti-scratch finishing.
- Top and side are mounted by 2.0 mm of Stainless Steel.
- Adjustable ±25 mm Stainless Steel leg.
- Certified IPX4 protection.

Included Accessories

- Grill Oven.
- Extra Nozzle (Main Burner & Pilot Burner).

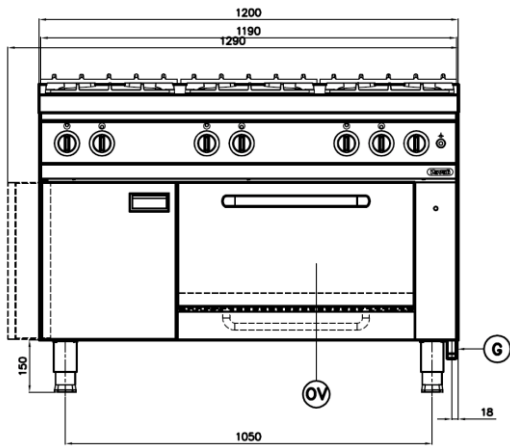
Optional Accessories

- Clip plate for joining.

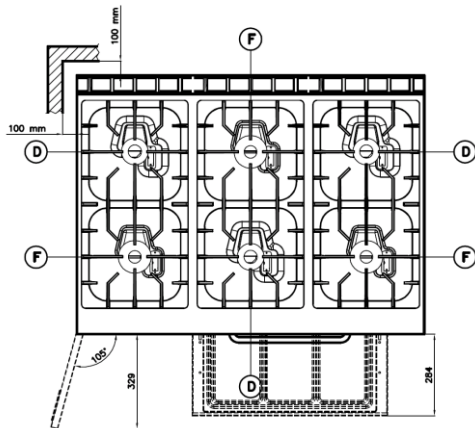
APPROVAL: _____

Modular Gas Table Range
 NGR 12-90 GR, Gas Prime Cooker
 with Six Gas Burners and Oven

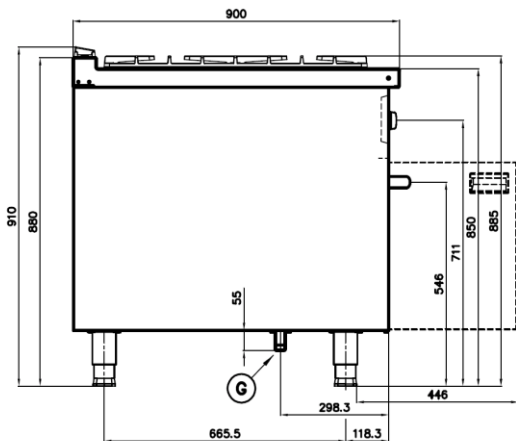
Front



Top



Side



- (G)** Gas Connection R 3/4"
- (F)** Open Burner 10 kW
- (D)** Open Burner 5.5 kW
- (OV)** Oven Burner 8 kW

* Overall Dimension in mm

Gas

- Gas Type Option:** G30/G31, G20
- Gas Inlet:** R 3/4"
- Natural Gas-Pressure:** G20: 20mbar
- LPG Gas Pressure:** G30/G31: 28-30mbar/37mbar

Key Information:

- Cooking Surface Open Burner:** 3x(370x725)
- Cooking Surface Oven** 575x666x305
- Direct heat emission:** 11.63 kW
- Direct heat emission (oven):** 2.80 kW
- Latent heat emission:** 4.65 kW
- Latent heat emission (oven):** 1.60 kW
- Steam emission:** 6.84 kg /h
- Steam emission (oven):** 2.35 kg /h
- Working Temperature MIN:** 100°C (oven)
- Working Temperature MAX:** 310°C (oven)
- Max Size Pan:** d:40 cm
- Net Weight:** 172 Kg
- Shipping Height:** 1020 mm
- Shipping Width:** 1255 mm
- Shipping Depth:** 995 mm
- Shipping Volume:** 1.274 m³